



Illustrated Parts List

Model Series

122200

TYPE NUMBERS
0110 through 0161.

TABLE OF CONTENTS

Air Cleaner	6
Blower Housing	7
Camshaft	2
Carburetor	4
Controls	5
Crankcase Cover	2
Crankshaft	2
Cylinder	2
Cylinder Head	3
Exhaust System	6
Flywheel	7
Fuel Supply	4
Governor Spring	5
Gear Reduction	7
Ignition	5
Kits/Gaskets - Carburetor	4
Kits/Gaskets - Engine	2
Kits/Gaskets - Valve	3
Lubrication	2
Piston Group	2
Rewind Starter	7

Not for reproduction



PRINTED IN U.S.A.

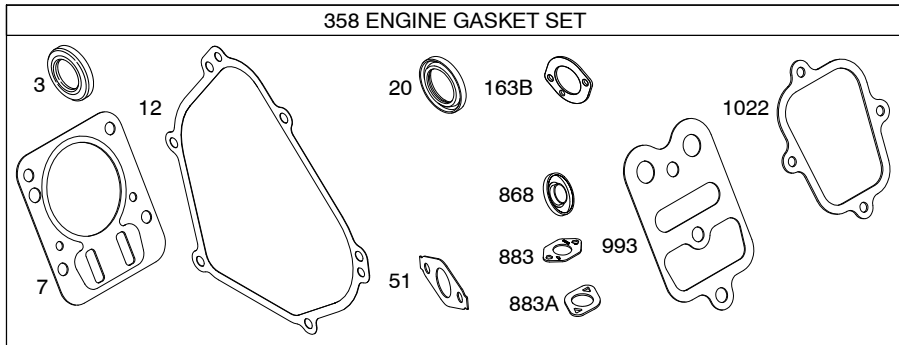
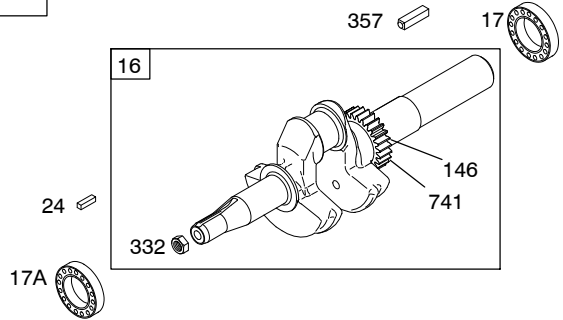
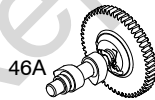
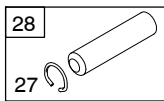
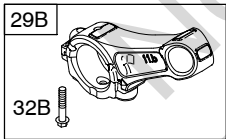
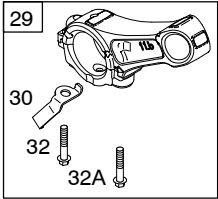
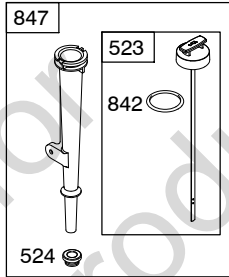
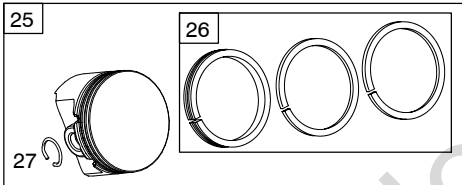
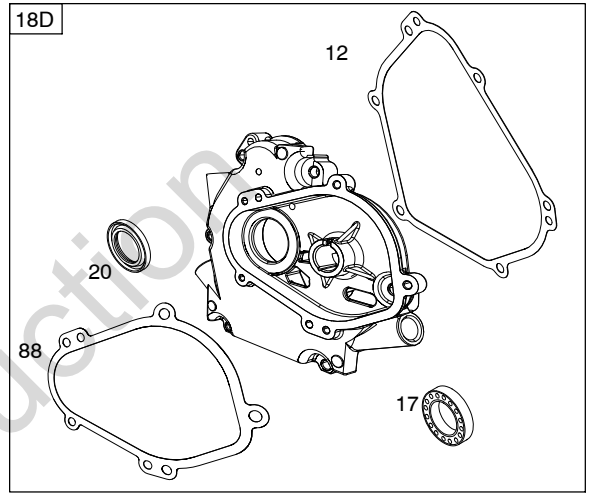
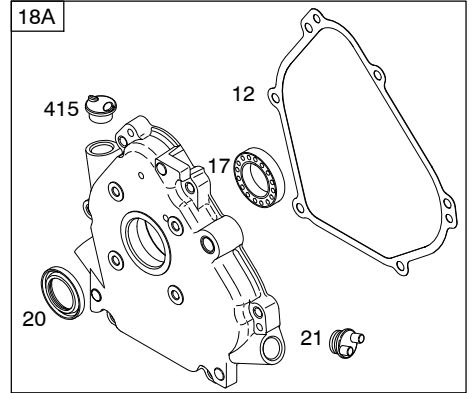
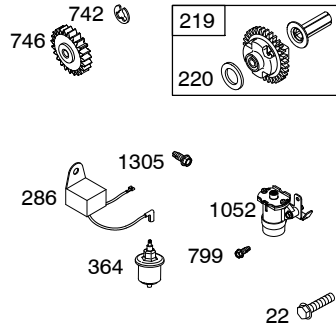
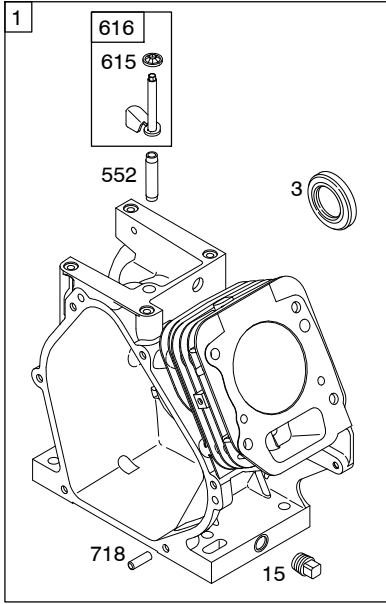
COPYRIGHT by BRIGGS & STRATTON CORPORATION
All rights reserved. No part of this material may be reproduced or transmitted, in any form or by any means, electronic or mechanical, including photocopying, recording or by any information storage and retrieval system, without permission in writing from Briggs & Stratton Corporation.

1319 WARNING LABEL

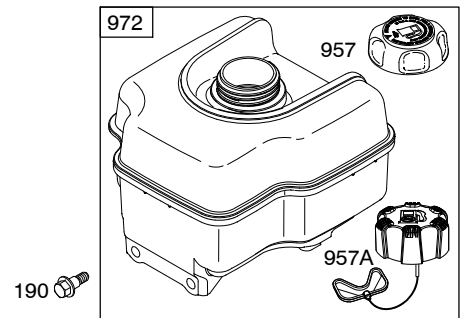
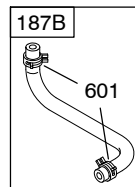
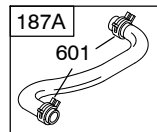
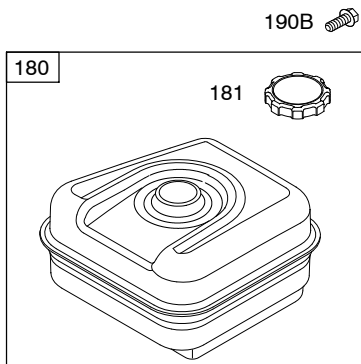
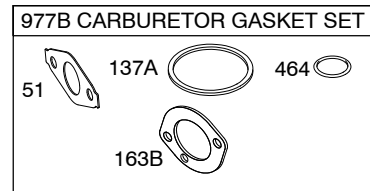
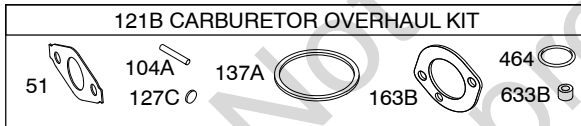
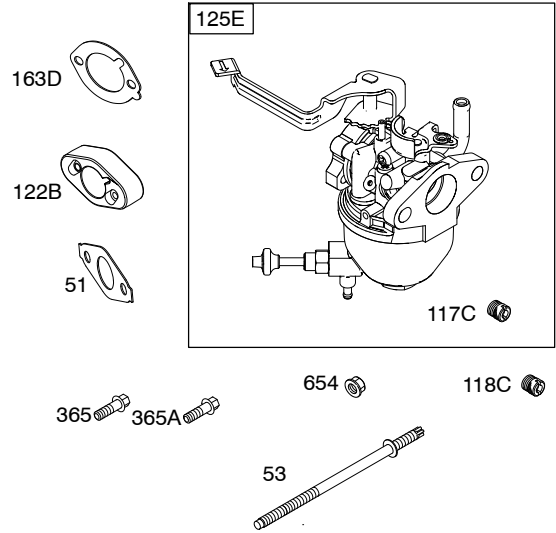
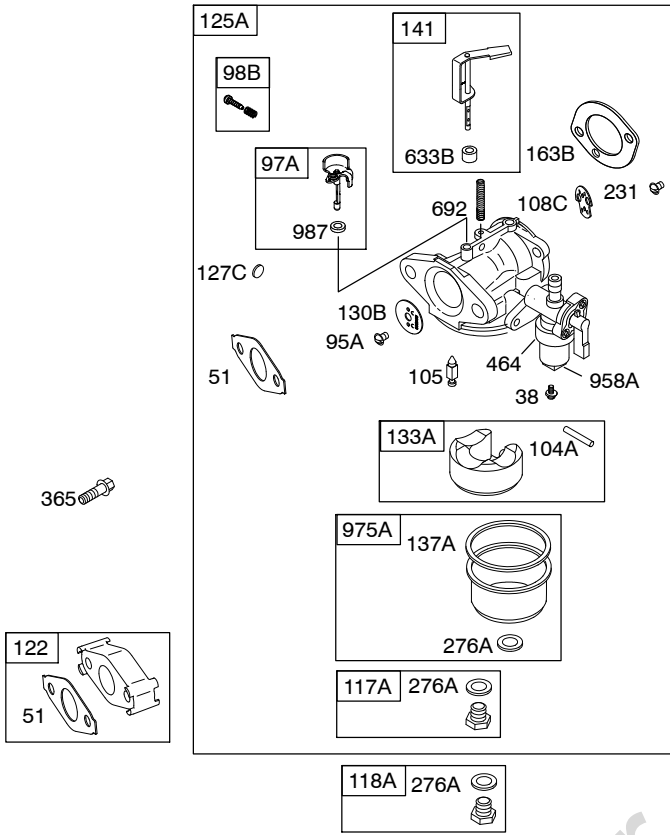
REQUIRED when replacing parts with warning labels affixed.

1058 OPERATOR'S MANUAL

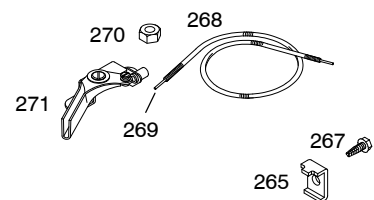
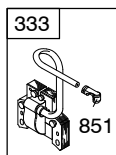
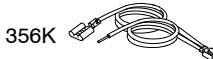
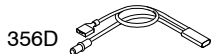
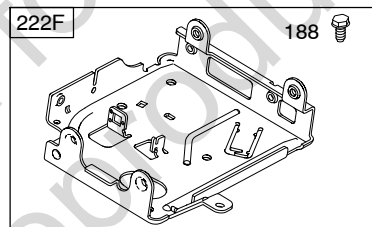
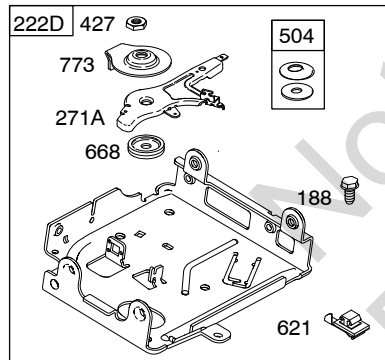
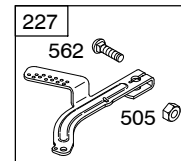
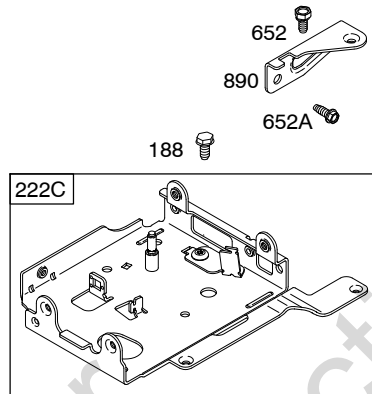
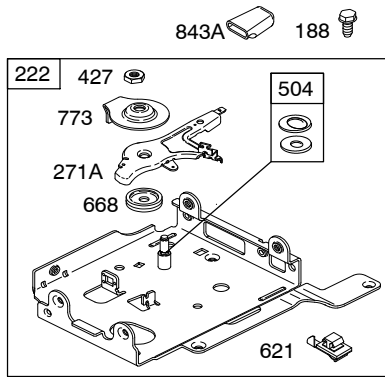
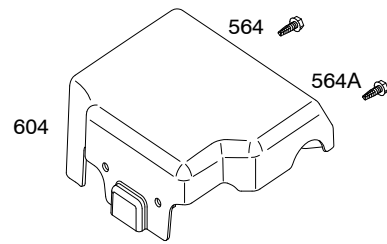
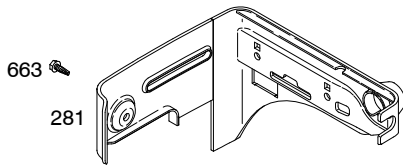
1330 REPAIR MANUAL

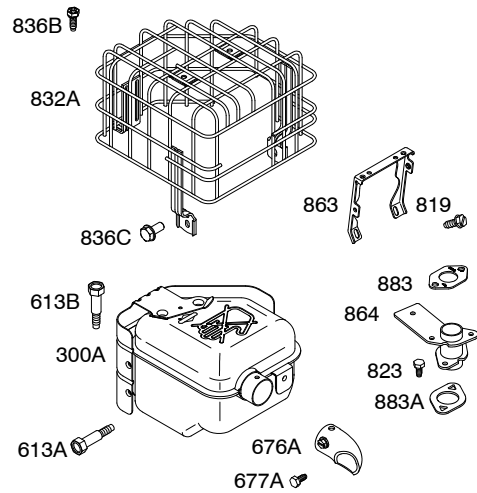
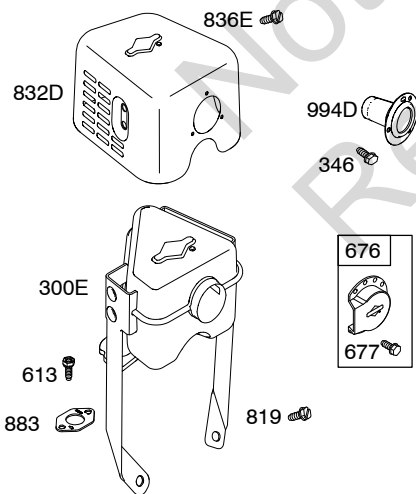
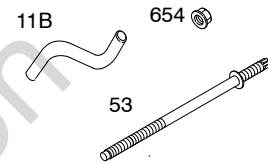
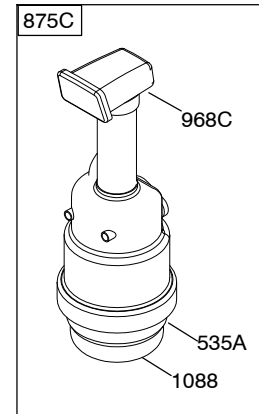
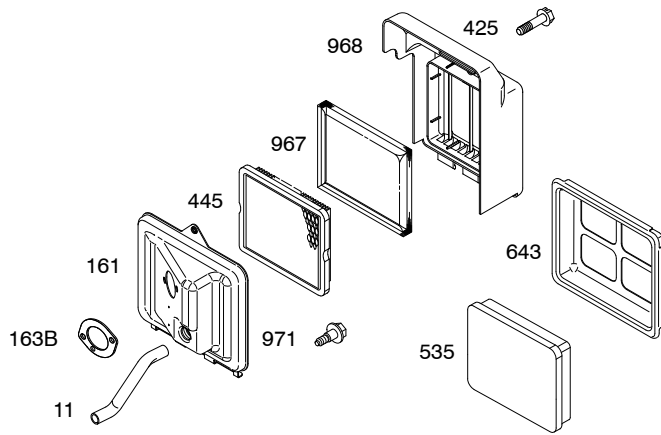


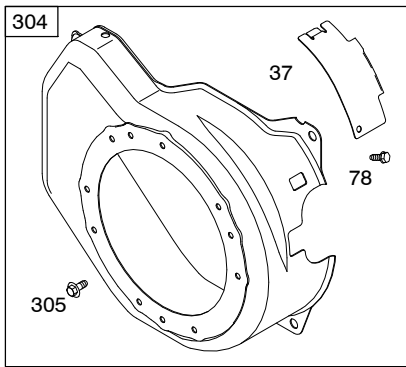
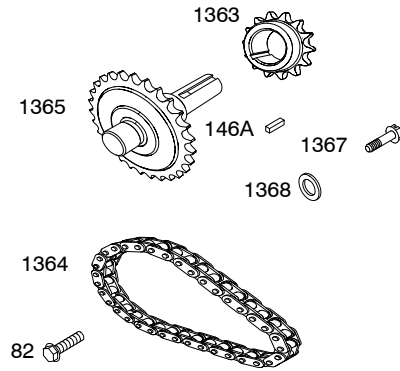
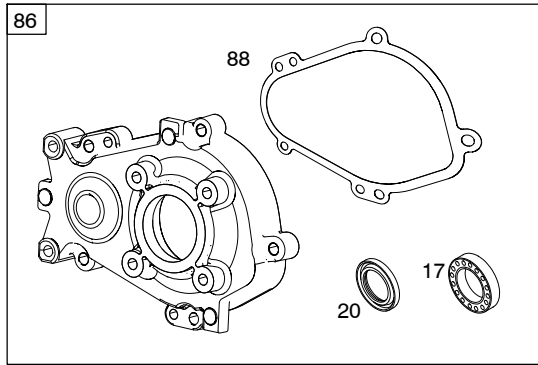
Illustrations cover a range of engines. Parts shown without corresponding text may not be used on your specific engine.
 3376-2 Assemblies include all parts shown in frames. 02/28/2012



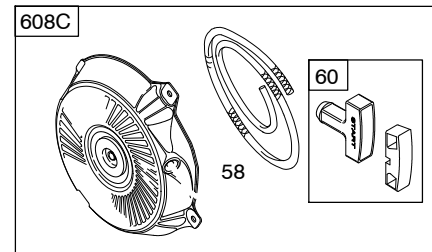
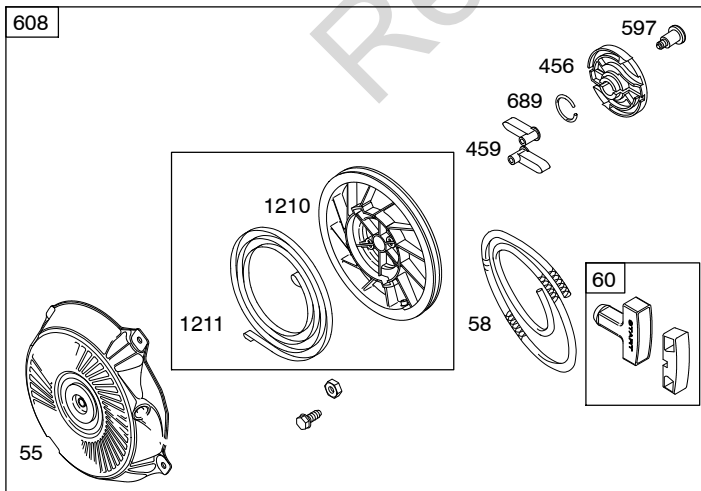
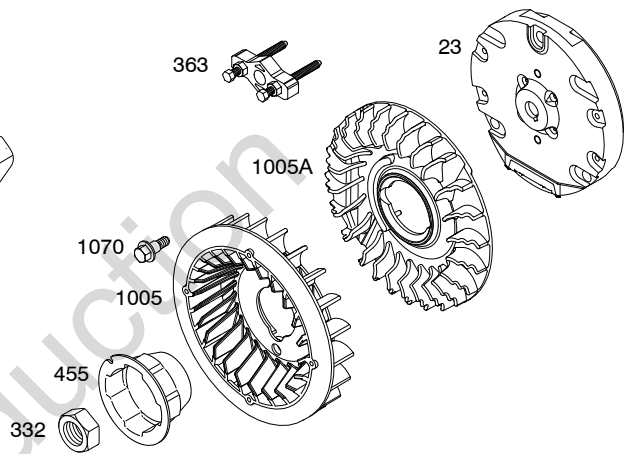
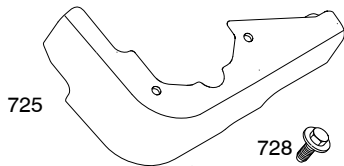
Illustrations cover a range of engines. Parts shown without corresponding text may not be used on your specific engine.
 3376-4 Assemblies include all parts shown in frames. 02/28/2012







1036 EMISSIONS LABEL



65

122200

REF. NO.	PART NO.	DESCRIPTION	REF. NO.	PART NO.	DESCRIPTION	REF. NO.	PART NO.	DESCRIPTION
1	699490	Cylinder Assembly	16	699835	Crankshaft	20	★692550	Seal-Oil (PTO Side)
3	★299819S	Seal-Oil			Used on Type No(s). 0119, 0152, 0156, 0159, 0160.	21	281658S	Cap-Oil Fill
5	797439	Head-Cylinder (Metric) (Used After Code Date 09061700).			----- Note -----	22	699478	Screw (Crankcase Cover/Sump)
		----- Note -----			699443 Crankshaft	23	699488	Flywheel
		699486 Head-Cylinder (SAE) (Used Before Code Date 09061800). (Magneto Side)			Used on Type No(s). 0110, 0115, 0120, 0140, 0143, 0153, 0157.	24	796335	Key-Flywheel
7	★Ø698210	Gasket-Cylinder Head			698879 Crankshaft	25	792004	Piston Assembly (Standard)
11	812208	Tube-Breather (Flat Panel Air Cleaner)			Used on Type No(s). 0111, 0112, 0113, 0117, 0118.			----- Note -----
11B	797175	Tube-Breather (Oil Bath Air Cleaner)			699453 Crankshaft			797820 Piston Assembly (.010" Oversize)
12	★699485	Gasket-Crankcase			Used on Type No(s). 0121.			791325 Piston Assembly (.020" Oversize)
13	699482	Screw (Cylinder Head)			699441 Crankshaft	26	791969	Ring Set (Standard) (Used After Code Date 05093000).
15	691686	Plug-Oil Drain (Square Head)			Used on Type No(s). 0122, 0129, 0161.			----- Note -----
15A	691682	Plug-Oil Drain (Flush)			793327 Crankshaft			499631 Ring Set (Standard) (Used Before Code Date 05100100).
					Used on Type No(s). 0137, 0138.			797821 Ring Set (.010" Oversize)
					793677 Crankshaft			791324 Ring Set (.020" Oversize) (Used After Code Date 05093000).
					Used on Type No(s). 0132.			692786 Ring Set (.020" Oversize) (Used Before Code Date 05100100).
					790329 Crankshaft			
					Used on Type No(s). 0139.			
			17	692517	Bearing-Ball	27	691866	Lock-Piston Pin
			17A	690824	Bearing-Ball	28	499423	Pin-Piston
			18A	790337	Cover-Crankcase			
					----- Note -----			
					699672 Cover-Crankcase			
					Used on Type No(s). 0122, 0140, 0161.			
			18D	790330	Cover-Crankcase			
					Used on Type No(s). 0139.			

★ Included in Engine Gasket Set-Ref. No.358.

● Included in Carburetor Overhaul Kit-Ref. No. 121.

◆ Included in Carburetor Gasket Set-Ref. No. 977.

Ø Included in Valve Gasket Set-Ref. No 1095.

Illustrations cover a range of engines. Parts shown without corresponding text may not be used on your specific engine.

3376-8

Assemblies include all parts shown in frames.

02/28/2012

REF. NO.	PART NO.	DESCRIPTION	REF. NO.	PART NO.	DESCRIPTION	REF. NO.	PART NO.	DESCRIPTION
29	690124	Rod-Connecting (Used Before Code Date 07081600). ----- Note ----- 792247 Rod-Connecting (.020" Undersize)	45	690977	Tappet-Valve	108C	698546	Valve-Choke
29B	797436	Rod-Connecting (Metric) (Used After Code Date 09053100). ----- Note ----- 795636 Rod-Connecting (SAE) (Used After Code Date 07081500 and Before Code Date 09060100).	46A	696813	Camshaft	117A	698670	Jet-Main (Standard)
30	791584	Dipper-Connecting Rod	51★◆∅	692555	Gasket-Intake ----- Note ----- 797174 Gasket-Intake Used on Type No(s). 0160.	117C	797577	Jet-Main (Standard) Used on Type No(s). 0160.
32	691664	Screw (Connecting Rod)	53	797172	Stud (Carburetor)	118A	698552	Jet-Main (High Altitude)
32A	695759	Screw (Connecting Rod)	55	791848	Housing-Rewind Starter	118C	797578	Jet-Main (High Altitude) Used on Type No(s). 0160.
32B	797437	Screw (Connecting Rod) (Metric) (Used After Code Date 09053100). ----- Note ----- 791784 Screw (Connecting Rod) (SAE) (Used Before Code Date 09060100).	58	693389	Rope-Starter (Cut to Required Length) (Used After Code Date 11123100). ----- Note ----- 66574 Rope-Starter (Cut to Required Length) (Used Before Code Date 12010100).	121B	698567	Kit-Carburetor Overhaul
33	499642	Valve-Exhaust	60	490652	Grip-Starter Rope (2 Piece)	122	★◆795643	Spacer-Carburetor
34	499641	Valve-Intake	65	699228	Screw (Rewind Starter) (SAE) ----- Note ----- 699851 Screw (Rewind Starter) (Metric)	122B	797170	Spacer-Carburetor Used on Type No(s). 0160.
35	691304	Spring-Valve (Intake)	78	699205	Screw (Flywheel Guard)	125A	698535	Carburetor
36	691304	Spring-Valve (Exhaust)	82	807421	Screw (Gear Reduction Case)	125E	797576	Carburetor (Not Serviced Separately, Order Replacement Carburetor) Used on Type No(s). 0160.
37	699661	Guard-Flywheel	86	790332	Cover-Gear	127C	◆690727	Plug-Welch
38	698557	Screw (Shut Off Valve)	88	790333	Gasket-Gear Reduction Cover	130B	698543	Valve-Throttle
40	692194	Retainer-Valve	95A	698544	Screw (Throttle Valve)	133A	698539	Float-Carburetor
			97A	698542	Shaft-Throttle	137A	◆◆698538	Gasket-Float Bowl
			98B	698551	Kit-Idle Speed	141	698545	Kit-Choke Shaft
			104A	◆698536	Pin-Float Hinge	146	690979	Key-Timing
			105	698537	Valve-Float Needle	146A	790943	Key-Timing
						155	797442	Plate-Cylinder Head (Metric) (Used After Code Date 09061700). ----- Note ----- 698214 Plate-Cylinder Head (SAE) (Used Before Code Date 09061800).

★ Included in Engine Gasket Set-Ref. No.358.

● Included in Carburetor Overhaul Kit-Ref. No. 121.

◆ Included in Carburetor Gasket Set-Ref. No. 977.

∅ Included in Valve Gasket Set-Ref. No 1095.

Illustrations cover a range of engines. Parts shown without corresponding text may not be used on your specific engine.

122200

REF. NO.	PART NO.	DESCRIPTION	REF. NO.	PART NO.	DESCRIPTION	REF. NO.	PART NO.	DESCRIPTION
161	699207	Base-Air Cleaner (Metal) (Flat Panel Air Cleaner)	190	699220	Screw (Fuel Tank)	222	699589	Bracket-Control (Used Before Code Date 07030100).
163B★◆696024		Gasket-Air Cleaner (Flat Panel Air Cleaner)	190B	795047	Screw (Fuel Tank) (Used After Code Date 08051100).	222C	699493	Bracket-Control (Used Before Code Date 07030100).
163D	797171	Gasket-Air Cleaner Used on Type No(s). 0160.			----- Note ----- 699839 Screw (Fuel Tank) (Used Before Code Date 08051200).	222D	795669	Bracket-Control (Used With Metal Fuel Tank) (Used After Code Date 08051100).
180	795832	Tank-Fuel (Metal) (Used After Code Date 08051100).	192	797440	Adjuster-Rocker Arm (Metric) (Used After Code Date 09061700).			----- Note ----- 793107 Bracket- Control (Used With Metal Fuel Tank) (Used After Code Date 07022800 and Before Code Date 08051200).
		----- Note ----- 794640 Tank-Fuel (Metal) (Used After Code Date 07050800 and Before Code Date 08051200).			----- Note ----- 694543 Adjuster- Rocker Arm (SAE) (Used Before Code Date 09061800).			793107 Bracket- Control (Used With Plastic Fuel Tank) (Used After Code Date 07022800).
		791598 Tank-Fuel (Metal) (Used Before Code Date 07050900).	209	692571	Spring-Governor ----- Note ----- 693206 Spring- Governor Used on Type No(s). 0118, 0122, 0129, 0132, 0138, 0161.	222F	795668	Bracket-Control (Used With Metal Fuel Tank) (Used After Code Date 08051100).
181	794641	Cap-Fuel Tank (Metal) (Used After Code Date 07050800).			693710 Spring- Governor Used on Type No(s). 0160.			----- Note ----- 793100 Bracket- Control (Used With Metal Fuel Tank) (Used After Code Date 07022800 and Before Code Date 08051200).
		----- Note ----- 699840 Cap-Fuel Tank (Metal) (Used Before Code Date 07050900).	209A	691278	Spring-Governor			793100 Bracket- Control (Used With Plastic Fuel Tank) (Used After Code Date 07022800).
187A	791867	Line-Fuel (Molded)	219	693578	Gear-Governor			
187B	791874	Line-Fuel (Molded)	220	691724	Washer (Governor Gear)			
188	699479	Screw (Control Bracket)						

★ Included in Engine Gasket Set-Ref. No.358.

● Included in Carburetor Overhaul Kit-Ref. No. 121.

◆ Included in Carburetor Gasket Set-Ref. No. 977.

⊘ Included in Valve Gasket Set-Ref. No 1095.

Illustrations cover a range of engines. Parts shown without corresponding text may not be used on your specific engine.

3376-10

Assemblies include all parts shown in frames.

02/28/2012

REF. NO.	PART NO.	DESCRIPTION	REF. NO.	PART NO.	DESCRIPTION	REF. NO.	PART NO.	DESCRIPTION
227	692573	Lever-Governor Control	307	699483	Screw (Cylinder Shield)	363	19203	Puller-Flywheel
231	690718	Screw (Choke Valve)	332	792723	Nut (Flywheel)	364	695693	Terminal-Oil Plug
238	691300	Valve-Cap	333	695711	Armature-Magneto	365	699484	Screw (Carburetor)
265	691024	Clamp-Casing	334	699477	Screw (Magneto Armature)	365A	797173	Screw (Carburetor)
267	699492	Screw (Casing Clamp)	337	491055S	Plug-Spark			Used on Type No(s). 0160.
268	691025	Casing-Control Wire (Cut to Required Length)			----- Note ----- 691043 Plug-Spark Used on Type No(s). 0113, 0122, 0140, 0152.	383	19374S	Wrench-Spark Plug
269	691026	Wire-Control (Cut to Required Length)	346	699203	Screw (Spark Arrestor) (Metric)	415	693463	Plug
270	691027	Nut (Control Wire Casing)			----- Note ----- 690661 Screw (Spark Arrestor) (SAE)	425	699208	Screw (Air Cleaner Cover)
271	691028	Lever-Control	347	698338	Switch-Rocker	427	798458	Nut (Control Bracket) (Metric)
271A	694256	Lever-Control			----- Note ----- 697854 Switch-Rocker Used on Type No(s). 0110, 0112, 0113, 0117, 0118, 0122, 0129, 0137, 0138, 0140, 0160, 0161.			----- Note ----- 694255 Nut (Control Bracket) (SAE)
276A	698540	Washer-Sealing	356A	692390	Wire-Stop	445	491588	Filter-Air Cleaner Cartridge (Flat Panel)
281	793133	Panel-Control (Used After Code Date 07022800). ----- Note ----- 790261 Panel-Control (Used Before Code Date 07030100). 793122 Panel-Control Used on Type No(s). 0140, 0160, 0161.	356B	692602	Wire-Stop	455	591302	Cup-Flywheel (Used After Code Date 11123100). ----- Note ----- 692591 Cup-Flywheel (Used Before Code Date 12010100).
286	794185	Module-Oil Sensor	356C	695630	Wire-Stop	456	692299	Plate-Pawl Friction
287	699629	Screw (Dipstick Tube)	356D	693651	Wire-Stop	459	281505	Pawl-Ratchet
300A	699231	Muffler	356K	791765	Wire-Stop	464	698550	Seal-O Ring (Fuel Shut Off Valve)
300E	791595	Muffler	357	798869	Key-Drive Pulley (Metric)	504	694254	Washer Set-Friction
304	699598	Housing-Blower			----- Note ----- 692191 Key-Drive Pulley (SAE)	505	691251	Nut (Governor Control Lever)
305	699481	Screw (Blower Housing)	358	791797	Gasket Set-Engine	522	697689	Plug-Dipstick/Fill
306	693610	Shield-Cylinder				523	693618	Dipstick
						524	281370S	Seal-Dipstick Tube

★ Included in Engine Gasket Set-Ref. No.358.

● Included in Carburetor Overhaul Kit-Ref. No. 121.

◆ Included in Carburetor Gasket Set-Ref. No. 977.

⊘ Included in Valve Gasket Set-Ref. No 1095.

Illustrations cover a range of engines. Parts shown without corresponding text may not be used on your specific engine.

122200

REF. NO.	PART NO.	DESCRIPTION	REF. NO.	PART NO.	DESCRIPTION	REF. NO.	PART NO.	DESCRIPTION
535	696263	Filter-Air Cleaner Foam	632	693408	Spring/Link-Mechanical Governor	823	699209	Screw (Muffler Adapter)
535A	797580	Filter-Air Cleaner Foam Used on Type No(s). 0160.	633B	690998	Seal-Choke/Throttle Shaft	830	797441	Stud-Rocker Arm (Metric) (Used After Code Date 09061700). ----- Note -----
552	692346	Bushing-Governor Crank	635	692076	Boot-Spark Plug			694544 Stud-Rocker Arm (SAE) (Used Before Code Date 09061800).
562	691119	Bolt (Governor Control Lever)	635A	692927	Boot-Spark Plug	832A	697818	Guard-Muffler
564	699491	Screw (Control Cover)	643	696264	Retainer-Air Filter	832D	796240	Guard-Muffler (Used After Code Date 08062400). ----- Note -----
564A	699206	Screw (Control Cover)	652	699755	Screw (Support Bracket)			791600 Guard-Muffler (Used Before Code Date 08062500).
597	691696	Screw (Pawl Friction Plate)	652A	699481	Screw (Support Bracket)	836B	699209	Screw (Muffler Guard)
601	791850	Clamp-Hose	654	690939	Screw (Carburetor)	836C	699234	Screw (Muffler Guard)
604	697326	Cover-Control	663	699206	Screw (Control Panel)	836E	699755	Screw (Muffler Guard)
608	791670	Starter-Rewind (Used Before Code Date 12010100).	668	694257	Spacer	842	691031	Seal-O Ring (Dipstick Tube)
608C	591301	Starter-Rewind (Used After Code Date 11123100).	676	393760	Deflector-Muffler	843A	695588	Sleeve-Lever
613	699209	Screw (Muffler)	676A	697816	Deflector-Muffler	847	693617	Dipstick/Tube Assembly
613A	699481	Screw (Muffler)	677	699203	Screw (Muffler Deflector) (Metric) ----- Note -----	851	493880S	Terminal-Spark Plug
613B	799081	Screw (Muffler) (Metric) ----- Note -----			690661 Screw (Muffler Deflector) (SAE)	863	699229	Bracket-Muffler
		697812 Screw (Muffler) (SAE)	677A	699776	Screw (Muffler Deflector)	864	699232	Adapter-Muffler
615	692576	Retainer-Governor Shaft	689	691855	Spring-Friction	868	692044	Seal-Valve
616	692547	Crank-Governor	692	690572	Spring-Detent	875C	797169	Base-Air Cleaner (Oil Bath Air Cleaner)
619	699481	Screw (Cylinder Head Plate)	718	690959	Pin-Locating	883	691893	Gasket-Exhaust
621	692310	Switch-Stop	725	792874	Shield-Heat	883A	692237	Gasket-Exhaust
			728	699632	Screw (Heat Shield)	890	790203	Bracket-Control
			741	695087	Gear-Timing			
			742	692564	Retainer-E Ring			
			746	790278	Gear-Idler			
			773	694258	Retainer			
			799	699202	Screw (Oil Sensor)			
			819	699233	Screw (Muffler Bracket)			

★ Included in Engine Gasket Set-Ref. No.358.

● Included in Carburetor Overhaul Kit-Ref. No. 121.

◆ Included in Carburetor Gasket Set-Ref. No. 977.

⊘ Included in Valve Gasket Set-Ref. No 1095.

Illustrations cover a range of engines. Parts shown without corresponding text may not be used on your specific engine.

REF. NO.	PART NO.	DESCRIPTION	REF. NO.	PART NO.	DESCRIPTION	REF. NO.	PART NO.	DESCRIPTION
914	699481	Screw (Rocker Cover) (Bottom)	968	692584	Cover-Air Cleaner (Flat Panel) ----- Note -----	1034	691343	Guide-Push Rod
914A	797444	Screw (Rocker Cover) (Top)(Metric) (Used After Code Date 09061700). ----- Note -----		698811	Cover-Air Cleaner Used on Type No(s). 0137, 0138.	1036		Label-Emissions (Available From An Authorized Briggs & Stratton Sevice Dealer)
		692557 Screw (Top)(SAE) (Used Before Code Date 09061800).	968C	797581	Cover-Air Cleaner (Oil Bath Air Cleaner)	1052	790141	Sensor-Oil
914B	797444	Screw (Rocker Cover) (Center)(Metric) (Used After Code Date 09061700). ----- Note -----	971	798649	Screw (Air Cleaner Base) (Metric) ----- Note -----	1058	277040	Operator's Manual
		697551 Screw (Rocker Cover) (Center)(SAE) (Used Before Code Date 09061800).		690370	Screw (Air Cleaner Base) (SAE)	1070	699201	Screw (Flywheel Fan)
957	792647	Cap-Fuel Tank (Fresh Start) ----- Note -----	972	694260	Tank-Fuel	1088	797582	Pan-Oil
		795027 Cap-Fuel Tank (Text Free)	975A	698541	Bowl-Float	1095	791798	Gasket Set-Valve
957A	799719	Cap-Fuel Tank (Carbon In Cap)	977B	698568	Gasket Set-Carburetor	1210	791849	Pulley/Spring Assembly (Pulley)
958	698180	Valve-Fuel Shut Off	987	698556	Seal-Throttle Shaft	1211	791849	Pulley/Spring Assembly (Spring)
958A	698549	Valve-Fuel Shut Off (Plastic)	993	Ø694088	Gasket-Cylinder Head Plate	1305	699691	Screw (Oil Sensor Module)
967	493537	Filter-Pre Cleaner (Flat Panel)	994D	793985	Arrester-Spark	1319	794467	Label-Warning
			1005	692592	Fan-Flywheel	1330	272147	Repair Manual
			1005A	794273	Fan-Flywheel	1345	699887	Filter-Filler Neck
			1022	★Ø691890	Gasket-Rocker Cover	1345A	792917	Filter-Filler Neck
			1023	791585	Cover-Rocker Arm	1363	790334	Sprocket-Gear Reduction
			1026	790287	Rod-Push	1364	790335	Chain-Gear Reduction
			1029	797443	Arm-Rocker (Metric) (Used After Code Date 09061700). ----- Note -----	1365	790336	Shaft-Output Gear Reduction
				691230	Arm-Rocker (SAE) (Used Before Code Date 09061800).	1367	690936	Screw (Gear Reduction Sprocket)
						1368	690301	Washer (Gear Reduction Sprocket)

★ Included in Engine Gasket Set-Ref. No.358.

● Included in Carburetor Overhaul Kit-Ref. No. 121.

◆ Included in Carburetor Gasket Set-Ref. No. 977.

Ø Included in Valve Gasket Set-Ref. No 1095.

Illustrations cover a range of engines. Parts shown without corresponding text may not be used on your specific engine.

Not for
Reproduction

Not for
Reproduction

Not for
Reproduction

